



FEED & BIOFUEL

MIXING MINERALS AND VITAMINS

ANDRITZ PADDLE MIXER



ANDRITZ

ENGINEERED SUCCESS

The ANDRITZ HPB2001 paddle mixer

The ANDRITZ HPB2001 paddle mixer is a batch mixer specifically designed to elevate your production process, saving you time and resources while ensuring high quality premixes.

MAXIMIZE PRODUCTIVITY AND MINIMUM RESIDUE

The HPB2001 paddle mixer is equipped with a dual outlet door and an air-purge system that guarantees thorough emptying after each batch, reducing product residue and maximizing your production output.

SEAMLESS INTEGRATION AND FLEXIBILITY

The HPB2001 paddle mixer allows for the incorporation of up to three liquid ingredients, enabling you to create customized premixes that meet your exact needs. And with a volume range of 40-100%, you have the freedom to adapt to changing demands seamlessly.

HIGH POWER DRIVES FOR CONSISTENT PRODUCT EXCELLENCE

Featuring a 37 kW gear-motor, our mixer guarantees the capability to blend challenging input components and seamlessly restart at full load in the event of a power outage or interruptions.

SAFETY FIRST

At ANDRITZ, safety is our top priority. The HPB2001 paddle mixer features safety locks on the inspection and cleaning doors, interlinked with a zero-speed guard and safety relay. You can work with confidence, knowing that the doors remain securely locked during operation and when the mixing shaft is rotating.

EFFORTLESS MAINTENANCE AND CLEANING

The mixer trough features a high self-cleaning effect, saving you valuable time and effort. Large inspection and cleaning doors provide easy access, ensuring hassle-free maintenance and hygienic standards.



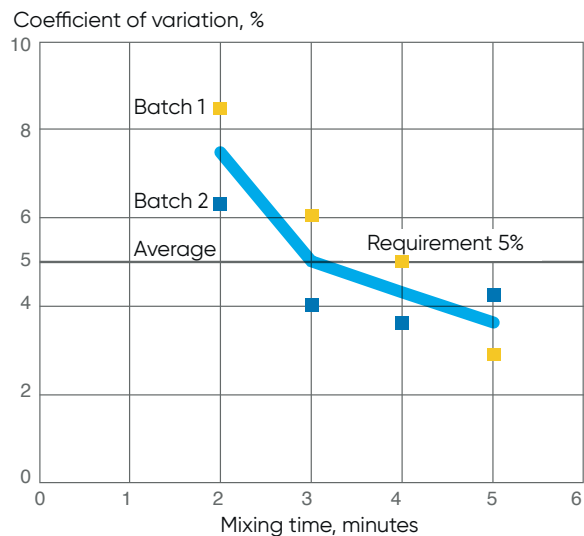
Lightning-fast mixing with maximum accuracy

With the HPB2001 paddle mixer, you can achieve optimal results in record time. Its impressive mixing time of just three to five minutes per batch in dry mixing ensures maximum productivity and efficiency.

CAPACITIES

Mixer content:	2000 liters
Batch size:	40-100%
Batch size max:	1300 kg
Specific gravity:	0,6-1,0 kg/liter
Batch frequency:	10-12 per hour
Mixing time:	3-5 minutes (dry mixing)
Mixer rotation:	Approx. 29 r.p.m.
Mixing accuracy:	CV<5% at 1:100.000
Net weight:	2500kg. (incl motor)
Motor power:	37 kW
Vol. in seaworthy:	17,7 packing m ³

The mixer element consists of a shaft with radially adjusted paddles to ensure maximum mixing accuracy (CV<5% at 1:100.000).



CERTIFIED EXCELLENCE

Rigorously tested and certified, the HPB2001 mixer delivers an exceptional accuracy of 1:100,000, paired with a versatile mixing time of 180 to 300 seconds. This certificate assures you of a reliable tool that sets new standards in your processes.

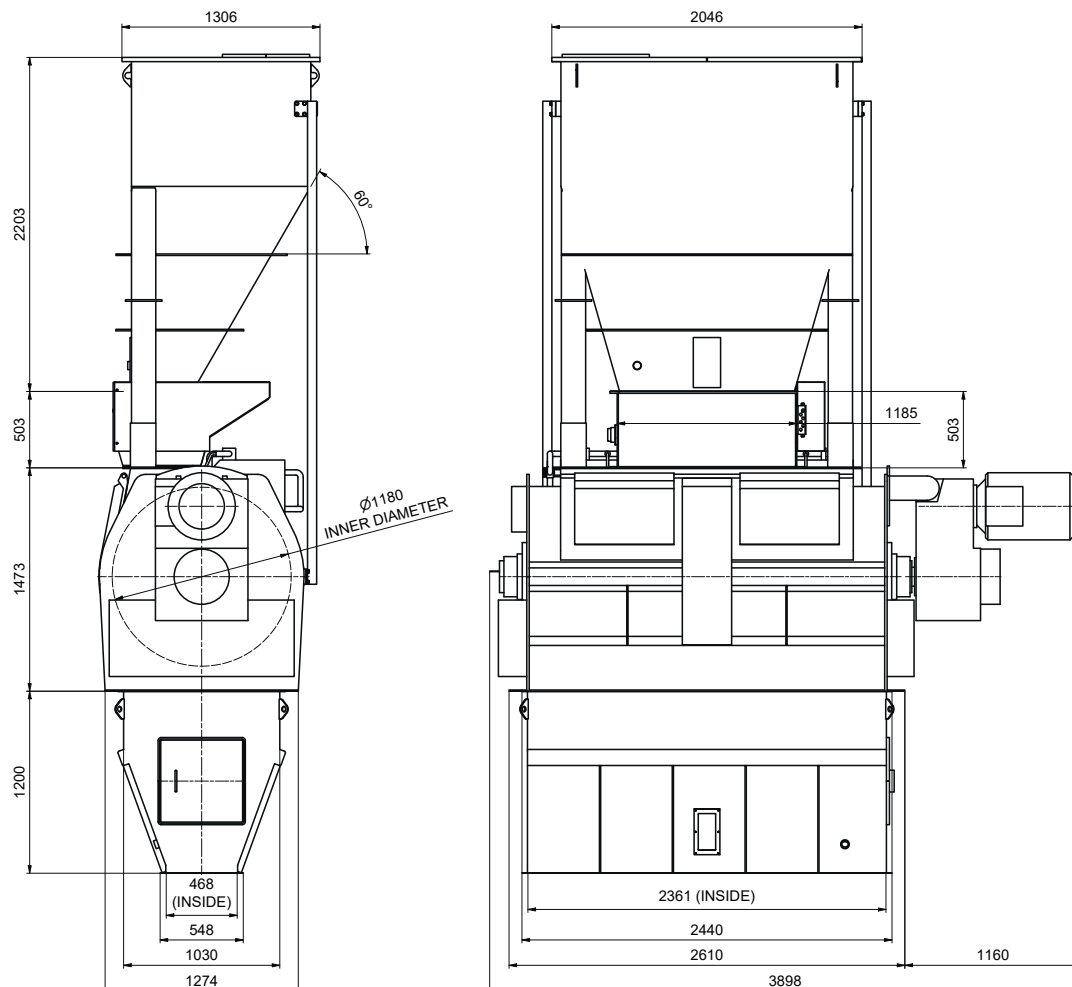


Customizable modular design

Every production setup is unique. The HPB2001 paddle mixer offers a customizable, modular design. You can tailor your setup with options such as a pre-bin, an inlet gate and a surge-bin to optimize efficiency and workflow in your facility.

THE HPB2001 BATCH MIXER CAN BE SUPPLIED WITH A RANGE OF OPTIONS:

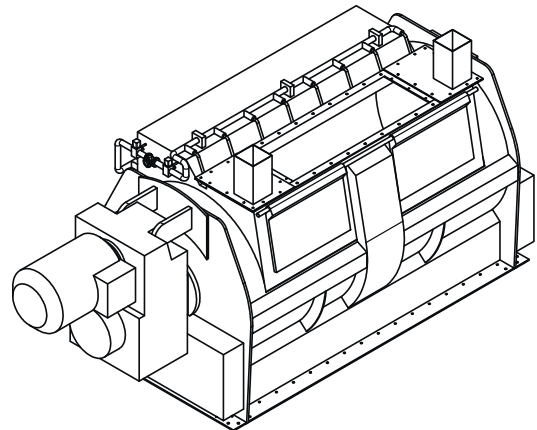
- Mixer pre-bin (FPB2001) prepared for level sensor
- Mixer inlet-gate (SPB2001)
- Liquid manifold and nozzles (oil/fat)
- Mixer surge-bin (EPB 2001) prepared for level sensor
- Discharge screw (SC-250)
- Aeration pipe for air compensation mixer <-> prebin (customized)





Your batch mixer solution for maximum efficiency and versatility

Engineered for exceptional efficiency while conserving energy, the HPB2001 is adaptable to different materials, without compromising on performance and the quality of the final product.





GLOBAL SUPPLIER – LOCAL PRESENCE

ANDRITZ Feed & Biofuel is truly a global organization – with local presence. We are represented all over the world. The global market is served from five main locations: Denmark, China, Netherlands, USA, and Slovakia.

In addition, ANDRITZ Feed & Biofuel operates from several strategic regional sales, engineering, and service locations in Australia, Bangladesh, Brazil, Canada, Chile, Dubai, France, Germany, India, Italy, Mexico, Poland, South Africa, Thailand, Turkey, the UK and Vietnam – and is also represented locally by agents and distributors in many other markets.

AUSTRALIA

ANDRITZ Feed & Biofuel
p: +61 3 8773 4888
andritz-fb.au@andritz.com

CHINA

ANDRITZ Feed & Biofuel
p: +86 21 5774 5781
andritz-fb.cn@andritz.com

ITALY

ANDRITZ Feed & Biofuel
p: +39 025 743 01 30
andritz-fb.it@andritz.com

THAILAND

ANDRITZ Feed & Biofuel
p: +66 2258 5528
andritz-fb.dk@andritz.com

BANGLADESH

ANDRITZ Feed & Biofuel
p: +880 22 222 64 800
andritz-fb.bd@andritz.com

DUBAI

ANDRITZ Feed & Biofuel
p: +971 4 214 6546
andritz-fb.uae@andritz.com

MEXICO

ANDRITZ Feed & Biofuel
p: +52 229 178 38 45
andritz-fb.mx@andritz.com

TURKEY

ANDRITZ Feed & Biofuel
p: +90 232 570 38 00
andritz-fb.tr@andritz.com

BRAZIL

ANDRITZ Feed & Biofuel
p: +55 47 3387 9146
andritz-fb.br@andritz.com

FRANCE

ANDRITZ Feed & Biofuel
p: +33 24 75 06 364
andritz-fb.fr@andritz.com

NETHERLANDS

ANDRITZ Feed & Biofuel
p: +31 40 262 7777
andritz-fb.nl@andritz.com

UK

ANDRITZ Feed & Biofuel
p: +44 1482 825 119
andritz-fb.uk@andritz.com

CANADA

ANDRITZ Feed & Biofuel
p: +1 519 676 7057
anbosales@andritz.com

GERMANY

ANDRITZ Feed & Biofuel
p: +49 2104 91970
andritz-fb.de@andritz.com

POLAND

ANDRITZ Feed & Biofuel
p: +48 60 906 1037
andritz-fb.pl@andritz.com

USA

ANDRITZ Feed & Biofuel
p: +1 570 546 1253
andritz-fb.us@andritz.com

CHILE

ANDRITZ Feed & Biofuel
p: +56 2 2246 24 600
andritz-fb.cl@andritz.com

INDIA

ANDRITZ Feed & Biofuel
p: +91 87544 15287
andritz-fb.india@andritz.com

SOUTH AFRICA

ANDRITZ Feed & Biofuel
p: +27 82 781 0808
andritz-fb.dk@andritz.com

VIETNAM

ANDRITZ Feed & Biofuel
p: +84 28 6253 9434
andritz-fb.vi@andritz.com

ANDRITZ.COM/FT

ANDRITZ Feed & Biofuel A/S

Glentevej 5–7
6705 Esbjerg, Denmark
p: +45 72 160 300
andritz-fb.dk@andritz.com



All data, information, statements, photographs and graphic illustrations in this leaflet are without any obligation and raise no liabilities to or form part of any sales contracts of ANDRITZ AG or any affiliates for equipment and/or systems referred to herein. © ANDRITZ GROUP 2023. All rights reserved. No part of this copyrighted work may be reproduced, modified or distributed in any form or by any means, or stored in any database or retrieval system, without the prior written permission of ANDRITZ AG or its affiliates. Any such unauthorized use for any purpose is a violation of the relevant copyright laws. ANDRITZ AG, Stattegger Strasse 18, 8045 Graz, Austria.

